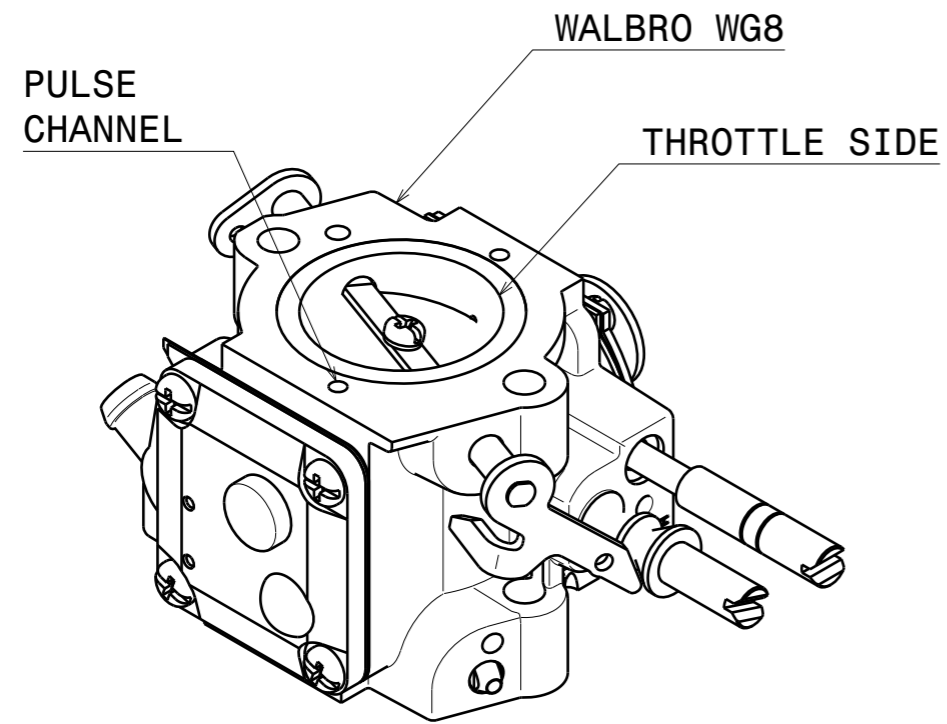
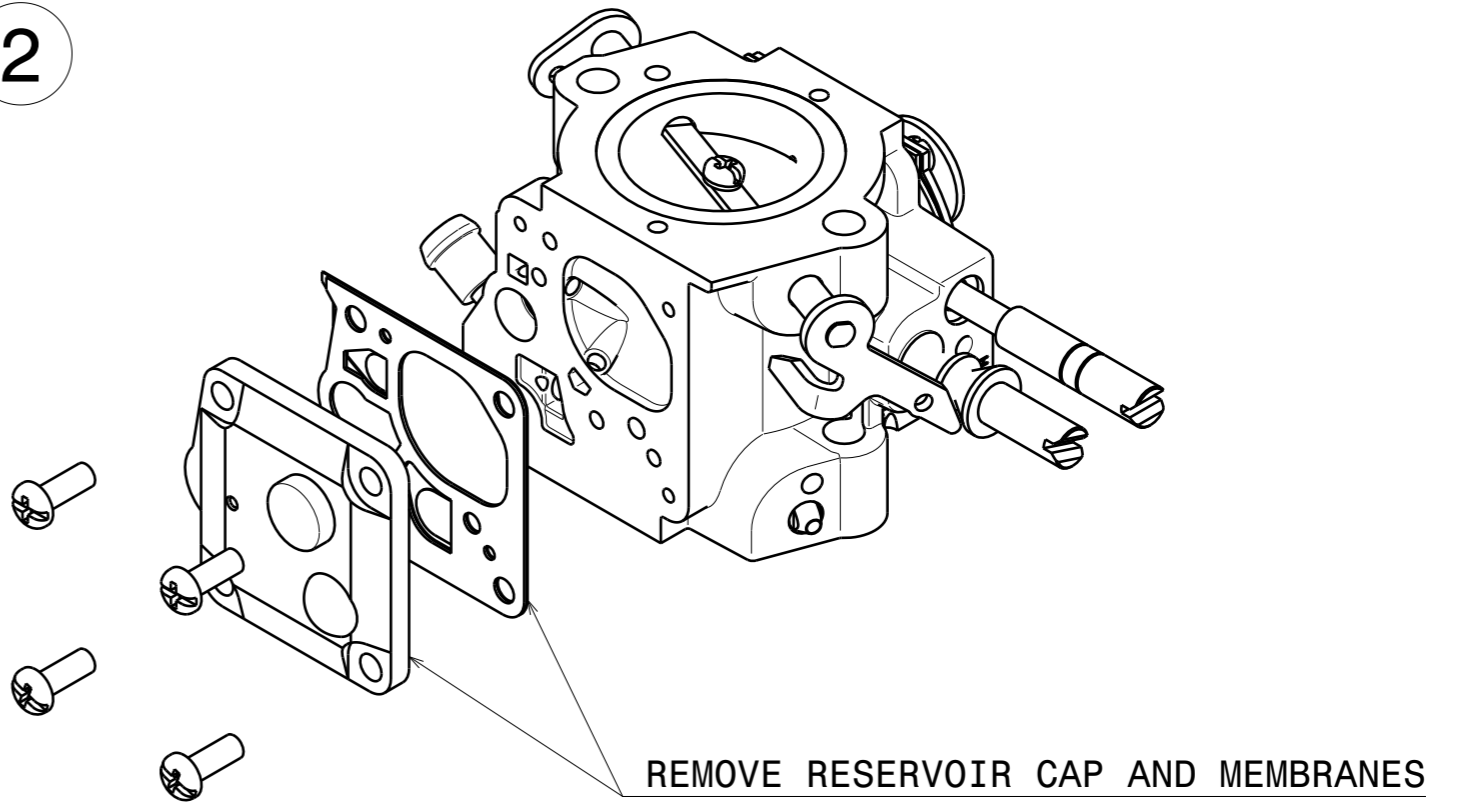


1

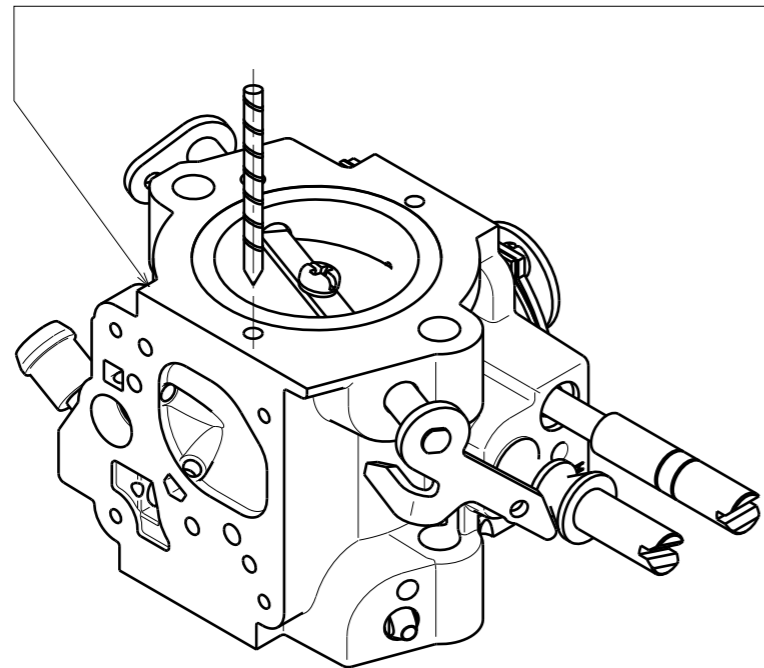


2



3

CAREFULLY DRILL THE PULSE CHANNEL WITH A $\varnothing 3$ mm BIT



4

IMPORTANT!! CAREFULLY CLEAN THE CARBURATORE FROM ANY REMAINING METAL CHIP

